

# Barred Owl Nest Box Plan

Dimensions: 18" wide, 19" deep, 24" tall

Materials: ½" treated plywood, 2x2 lumber or baluster, 1 & 5/8" exterior grade screws, liquid nails or waterproof wood glue, stain, 3/8" vinyl-coated wire, thimbles & clamps. Optional: tar paper or roofing shingles, roofing nails or staples

Walls (*Dimensions will vary slightly due to variations in lumber*):

1 front piece – 18" wide by 24" tall, 8" x 8" opening cut before assembly

1 back piece – 18" wide by 19 ¾" tall

1 side pieces, cut with angle – 18" wide, 20" angling up to 24" tall

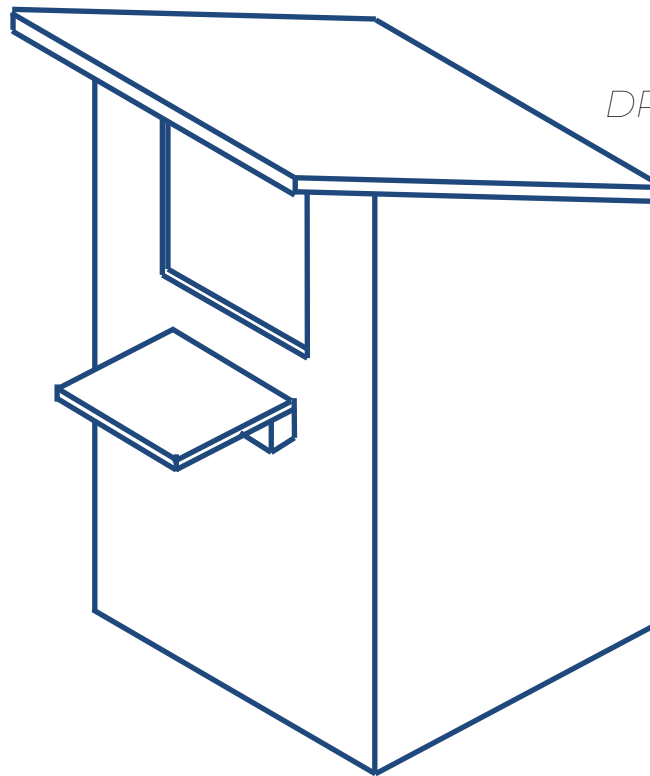
Floor: 17" x 18" plywood

Roof: 18" wide x 24" long

Interior Framing:

Vertical – 2x2 or baluster (1 & 3/8" x 1 & 3/8"), ~18 ½" and ~22½", 2 each

Floor perimeter – 2x2 or baluster, 18" and ~15 ¼", 2 each



*DRAWINGS NOT  
TO SCALE*



Before cutting or drilling:

- Always wear protective glasses and work gloves
- Secure lumber to the workbench before cutting

Before assembly:

- It is recommended that all cut edges be lightly sanded to remove splinters
- Dry-fit all pieces before applying glue

During assembly:

- Stagger screws along corners to avoid hitting installed screws with a drill bit
- Utilize clamps to align and hold pieces until they are secured with screws

Tools:

Saw

Carpenter's square

Hammer

Drill

Drill bits

Adjustable wrench

Safety goggles

Sandpaper

Ropes

Work gloves

Clamps

Pulley system for  
hoisting box into place

Tape measure

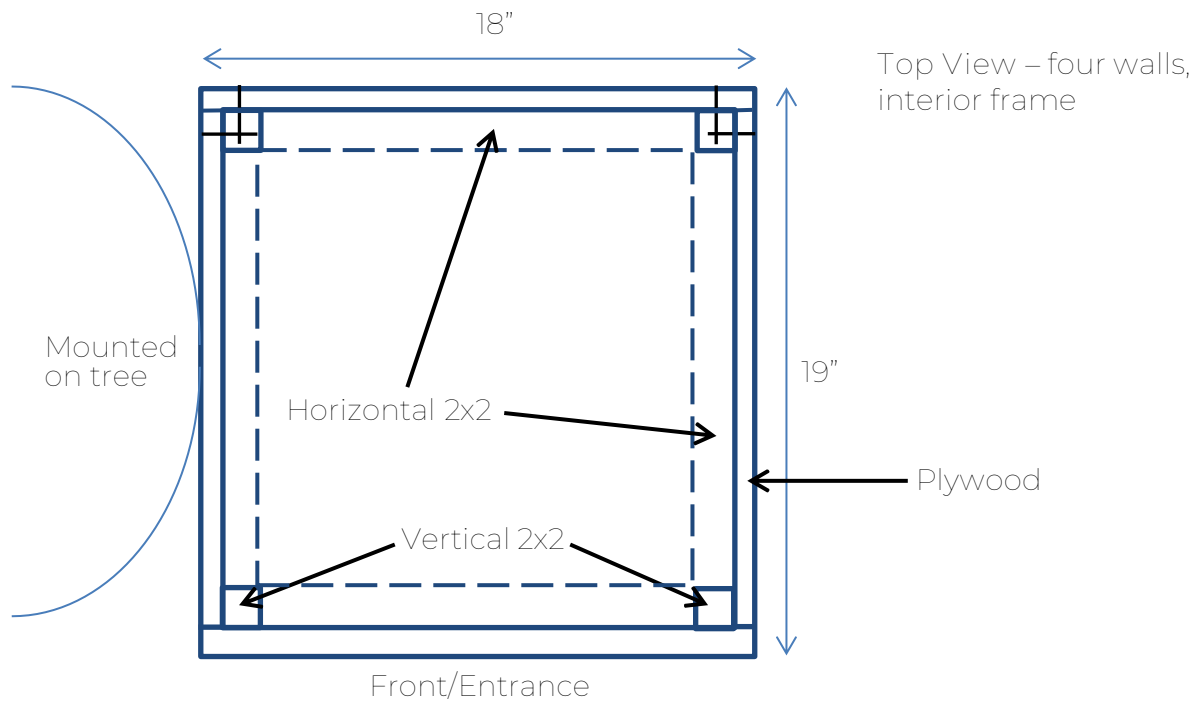
Caulk gun

Ladder

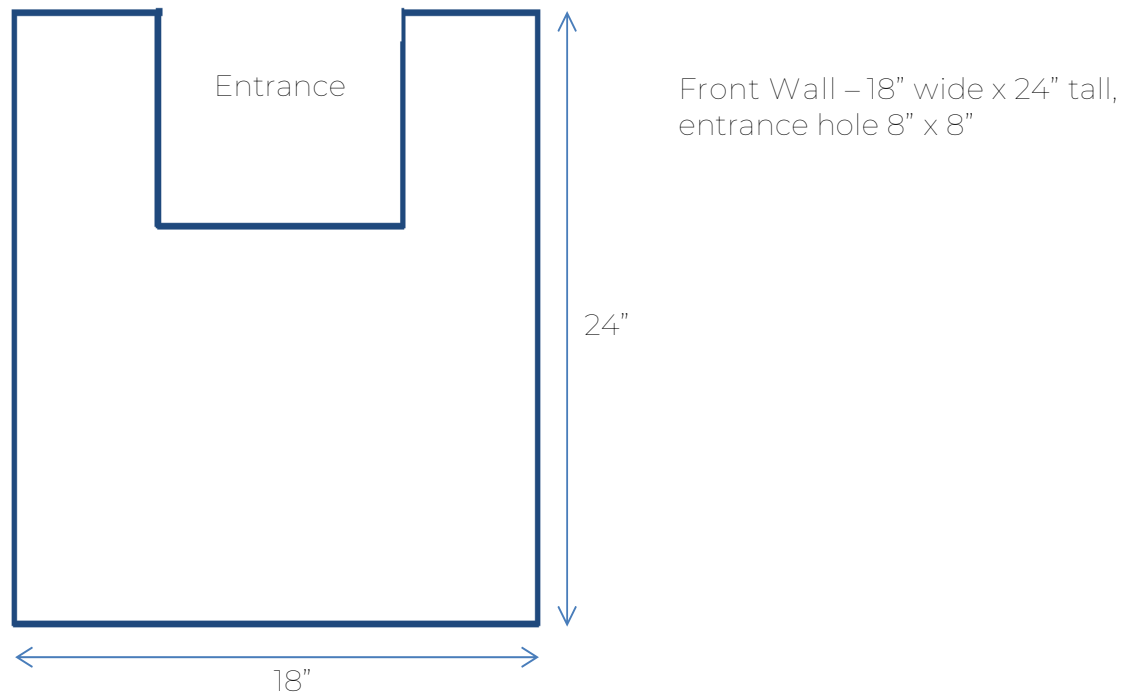
Pencil

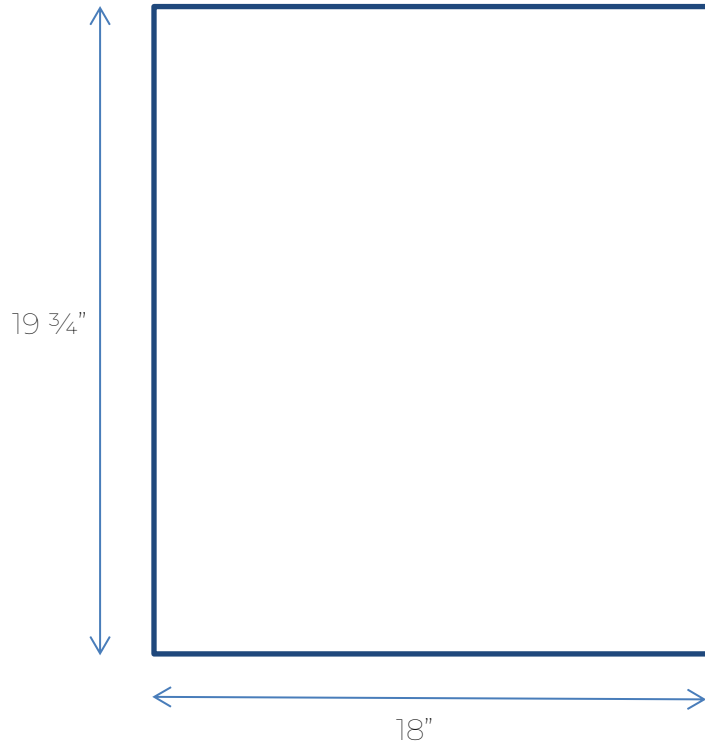
Paintbrush



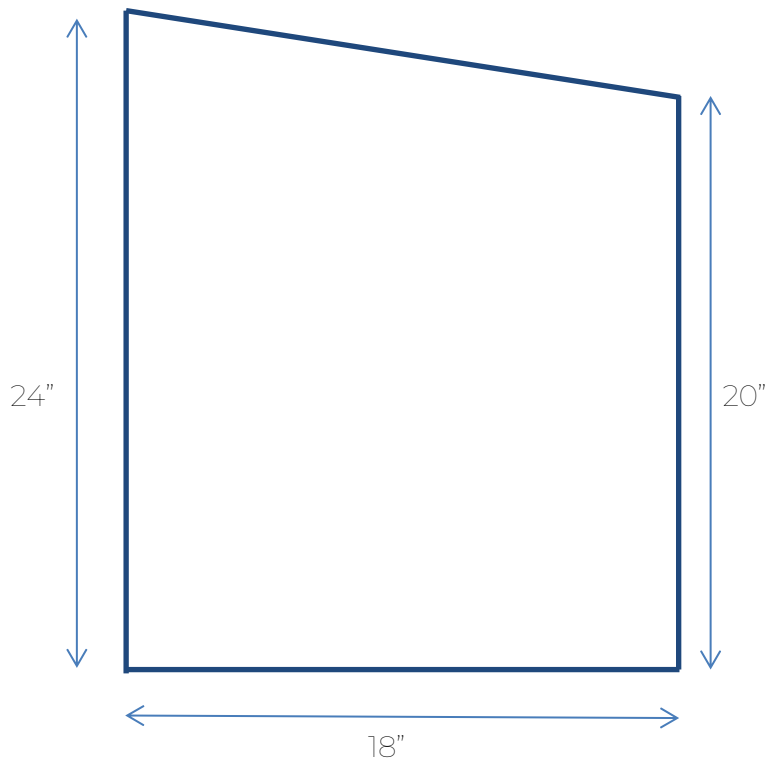


**MATERIALS:** Cutting guide for plywood pieces



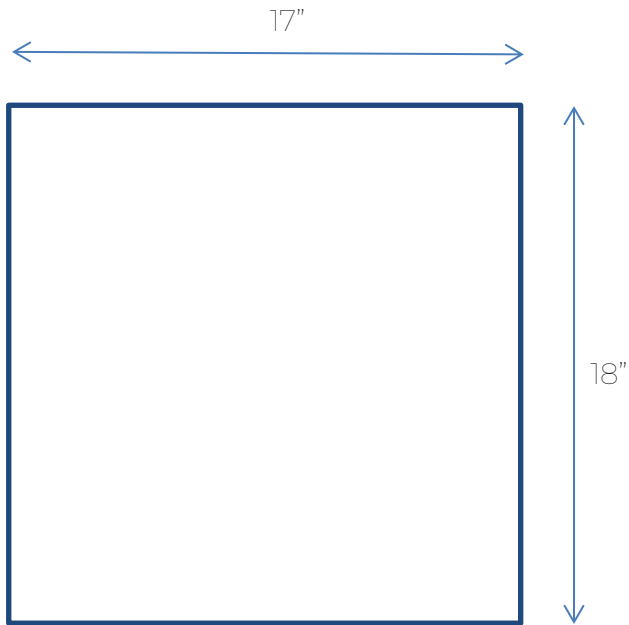


Back Wall – 18" wide x 19 3/4" tall

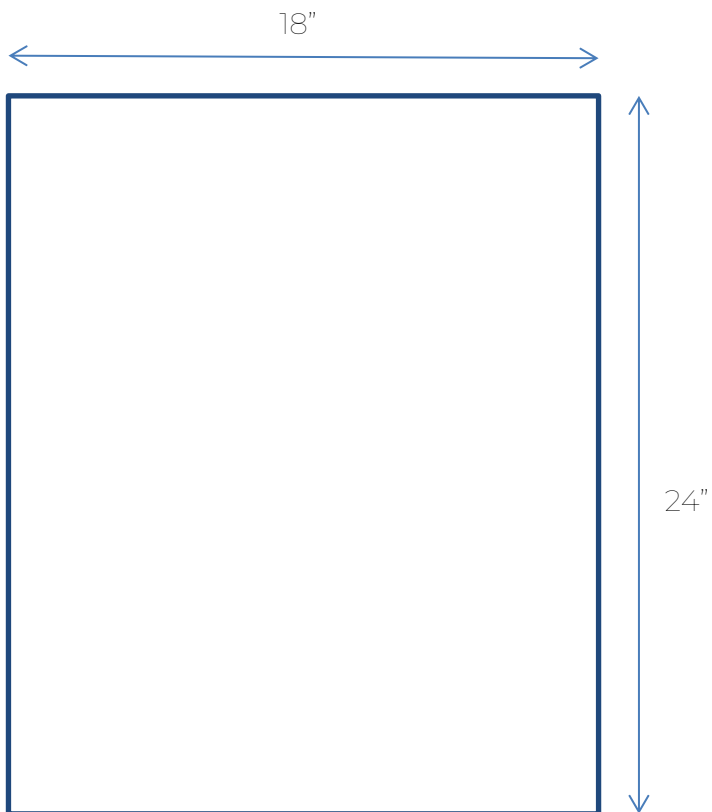


Two Side Walls – angled roof





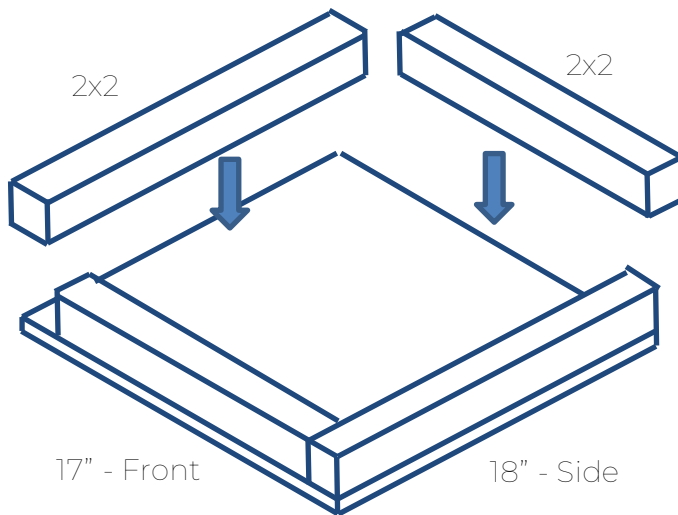
Floor – 17" x 18"



Roof – 18" wide x 24" long



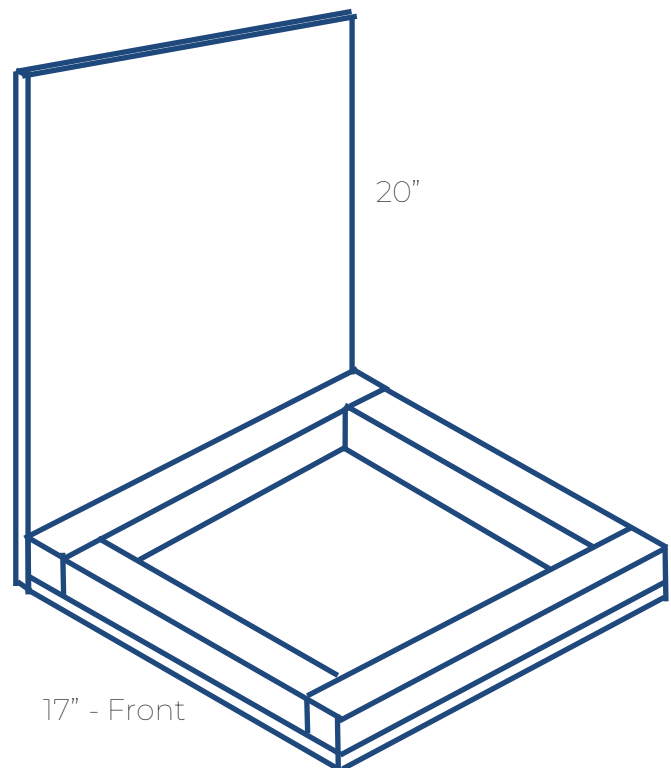
1. Attach four pieces of baluster or 2x2 lumber (18 and ~ 15 & 1/4") around the perimeter of floor plywood piece, flush with outer edges – use 1 & 5/8" exterior grade screws, 3-4 per side, going from plywood into 2x2. Don't countersink too deep to avoid having sharp points exposed inside the box.



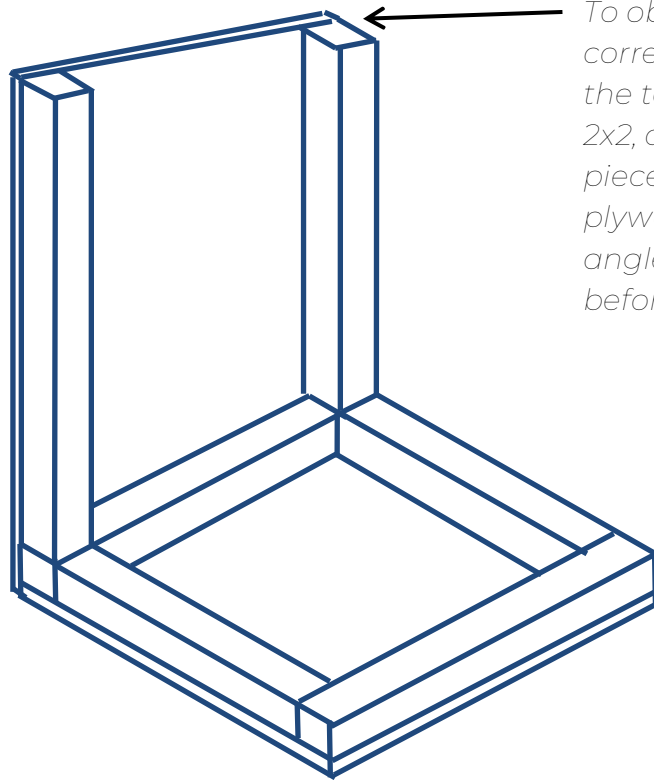
*FOR BEST RESULTS:  
Predrill all holes and  
apply "liquid nails"  
or quality wood glue  
to all surfaces before  
attaching with  
screws.*

2. Install plywood side wall using 3-4 screws, 1 & 5/8" long.

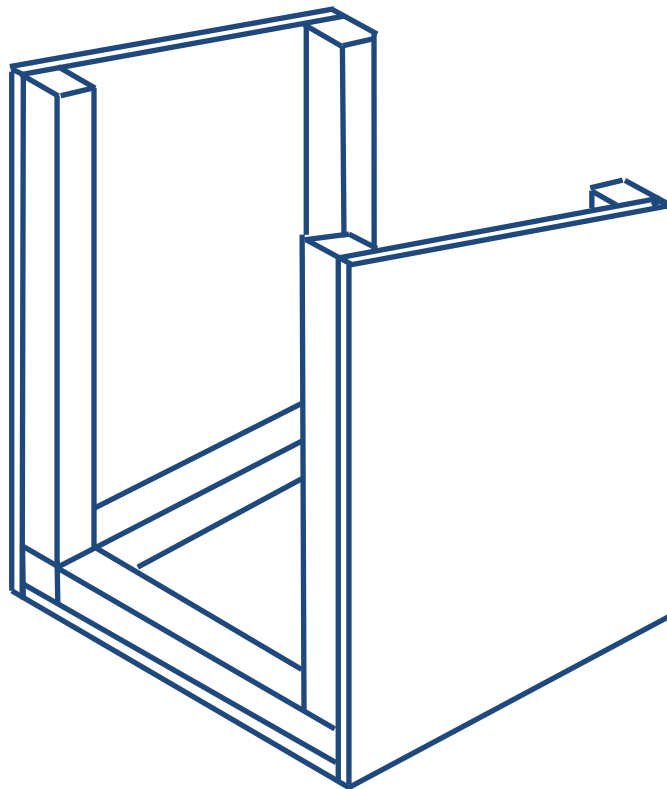
Place screws ~ 1" from edge of plywood to ensure that screws 24" enter 2x2 frame, not edge of plywood.



3. Install 2x2 on side wall using 1 & 5/8" screws, 4-5 per side.

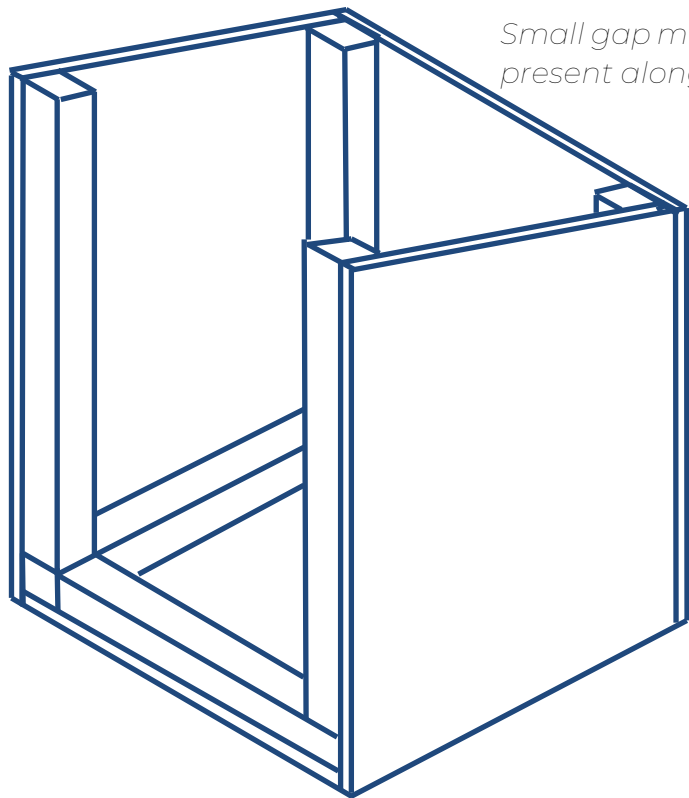


4. Repeat sidewall and 2x2 installation on other side.



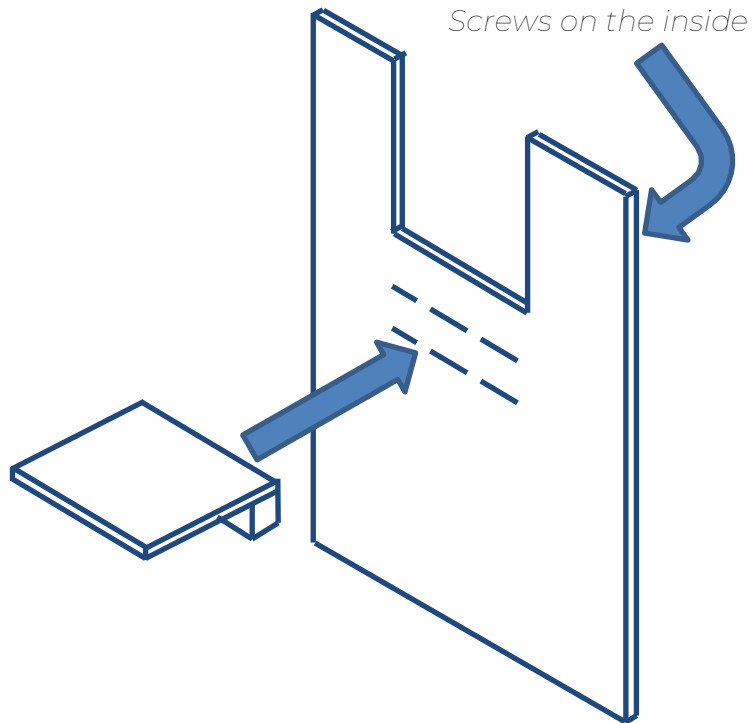
5. Install back wall flush with sidewalls, using 10-15 screws.

Make sure screws go into 2x2, not edge of plywood sidewalls.



*Small gap might be present along the top*

6. Attach "front porch" to the front wall piece using the 8" x 8" Piece of plywood cut out for entrance and a short section of 2x2; use screws aimed from inside of box, attach porch ~3" below the lip of entrance hole.

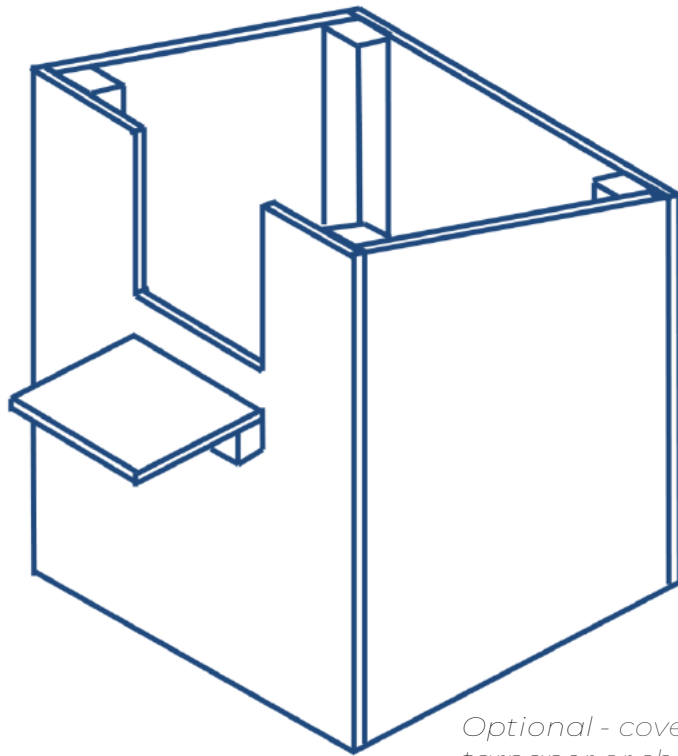


*Screws on the inside*



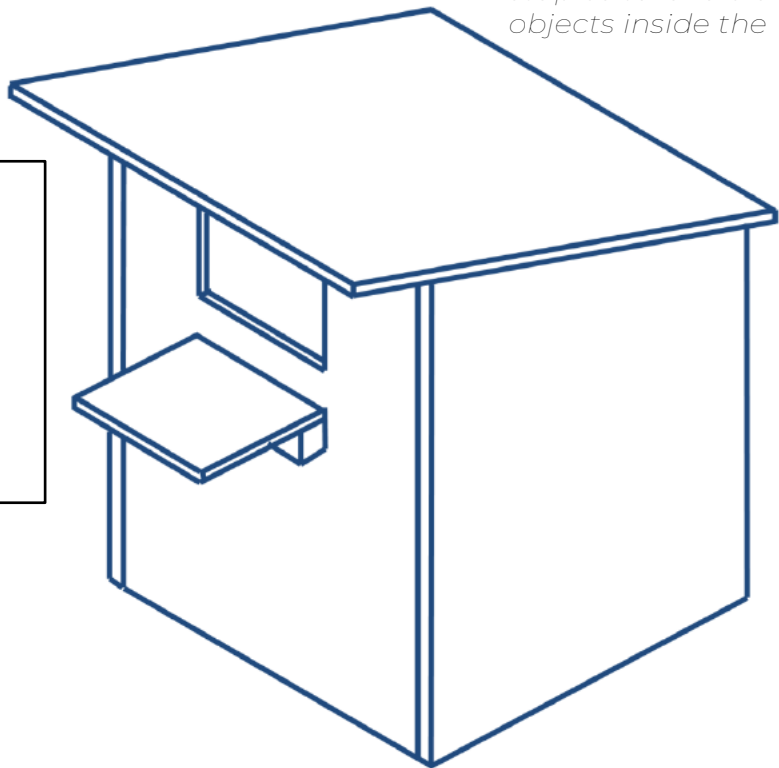


7. Install front wall (with attached front porch) to box using 12-15 screws. Make sure screws go into 2x2, not edge of plywood sidewalls.



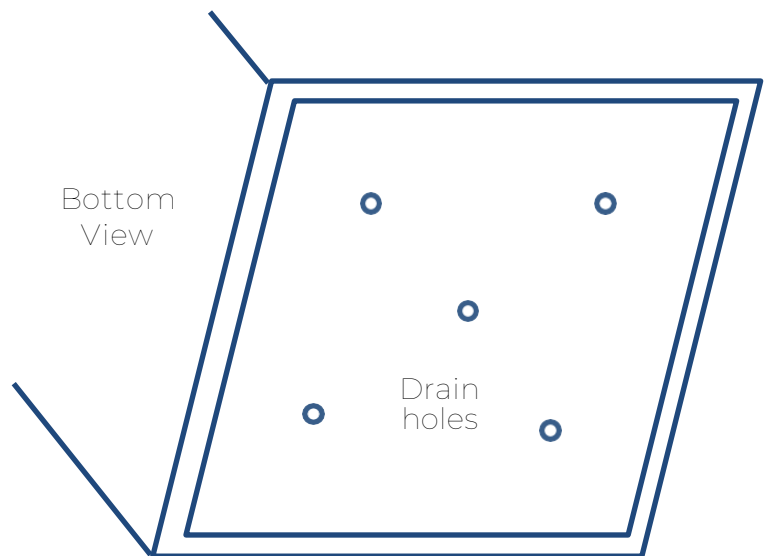
*Optional - cover roof with tarpaper or shingles. Use construction adhesive, short roofing nails or short staples to avoid sharp objects inside the box.*

8. Install plywood roof 8 screws (2 per corner). Make sure screws enter 2x2 uprights. Provide 1" overhang on back and larger overhang above front entrance.

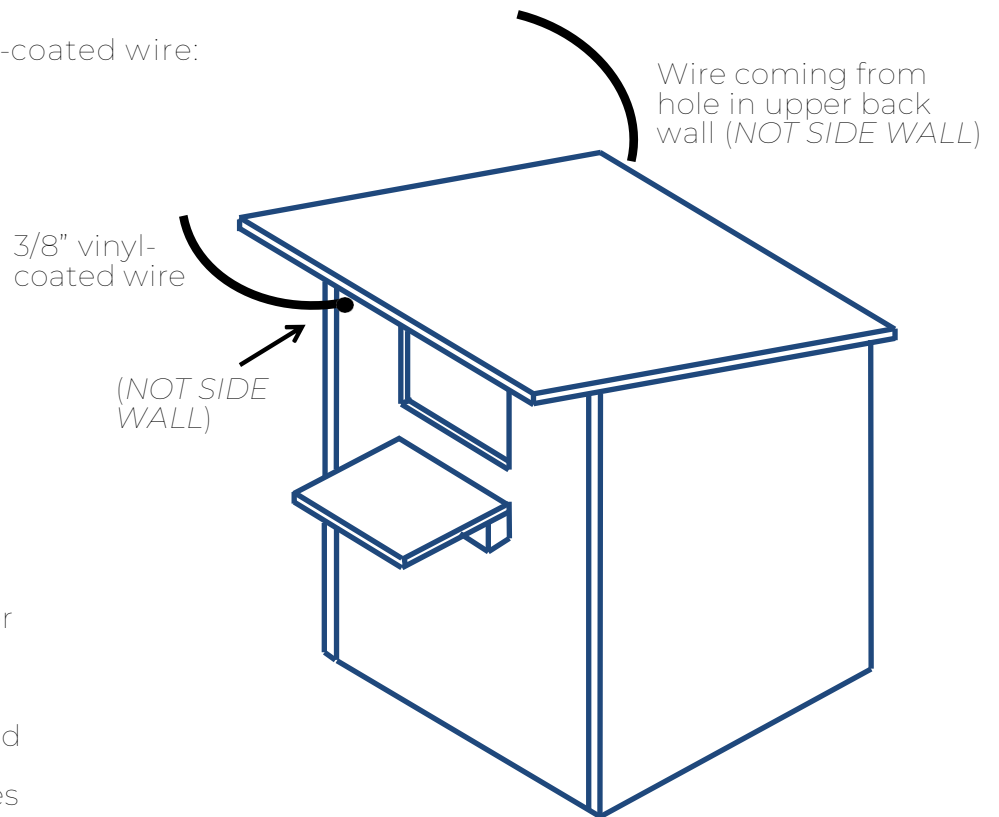


Before box installation:

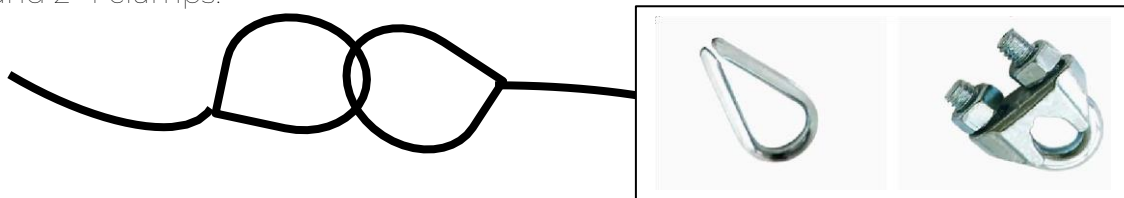
- Check for sharp edges & points inside the box.
- Drill several ½" dia. drainage holes into the floor.
- Drill two ½" holes into the front and back wall, near the top, on the side of the face that will be mounted against the tree. Holes can go through the 2x2 frame, as well.
- Stain or paint the entire box. Make sure exposed plywood edges are covered.



Installation using vinyl-coated wire:

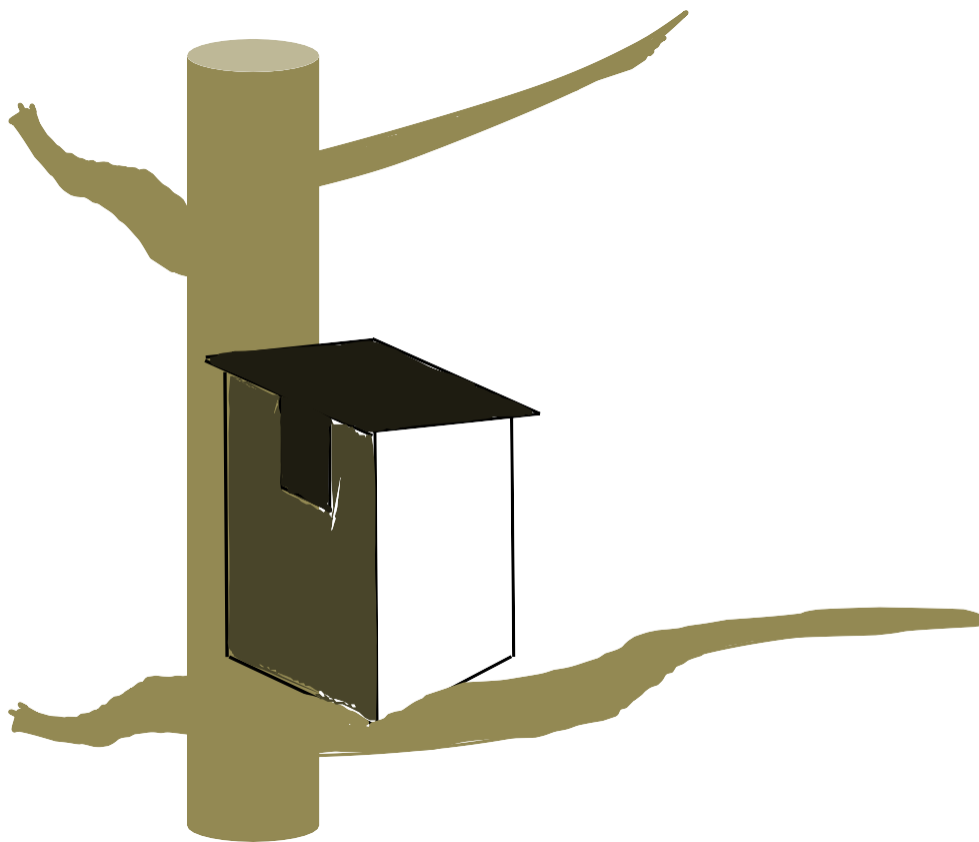


Once wire is looped and tightened around tree, connect two ends using 2 thimbles and 2-4 clamps.



## Installation:

1. Install the box with the entrance facing the side. That will make it easier to access the opening for annual cleanout.
2. Locate a suitable medium-sized to large tree with one or two sturdy horizontal limbs that can act as temporary support for the box until it is fastened to the trunk. These limbs will also serve as landing platforms for clumsy baby owls during their first flights.
3. A sturdy limb a few feet above the final box location can help with installation as well – pull the box up with rope or pulley system attached to that limb.
4. Feed vinyl-coated wire through the two installation holes in the box and attach thimble with clamps on one end.
5. Once the box is sitting in its final location, loop the free end of the wire around the trunk of the tree. If possible, place that loop above a limb on the opposite side of the trunk from the box location. Connect the free wire end to the looped end using thimble and clamps. Make sure the box is secure.



Cutting plan for full sheet of plywood (almost 2 nest boxes, some waste *NO FLOOR PIECES*)

