

Safety First

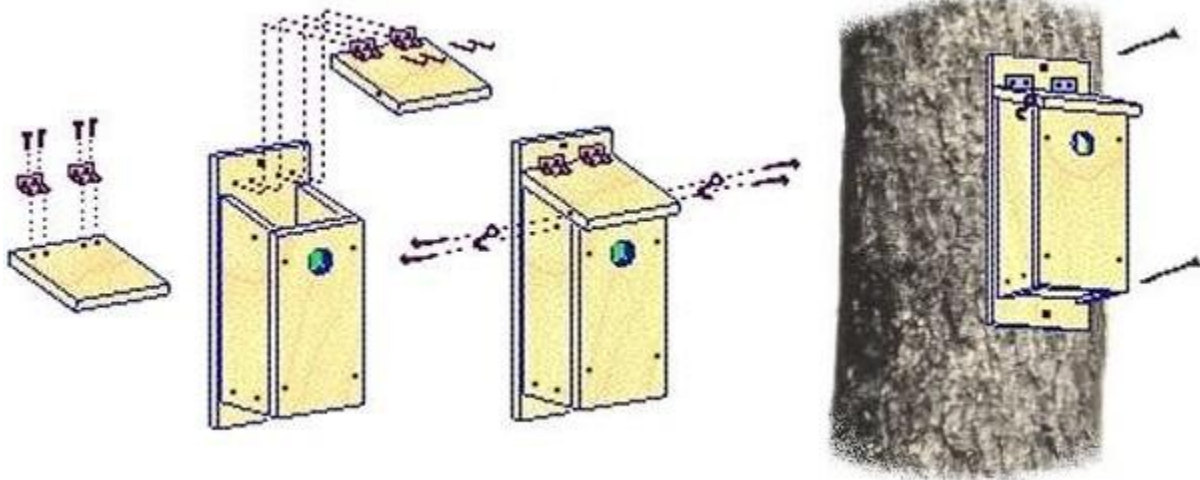
Assemble woodworking projects in a safe area, on a work bench at a height between waist and chest.

Wear eye protection. Eye injuries are the most common assembly mishap.

Keep hardware and tools away from children and infants; store away when not in use.

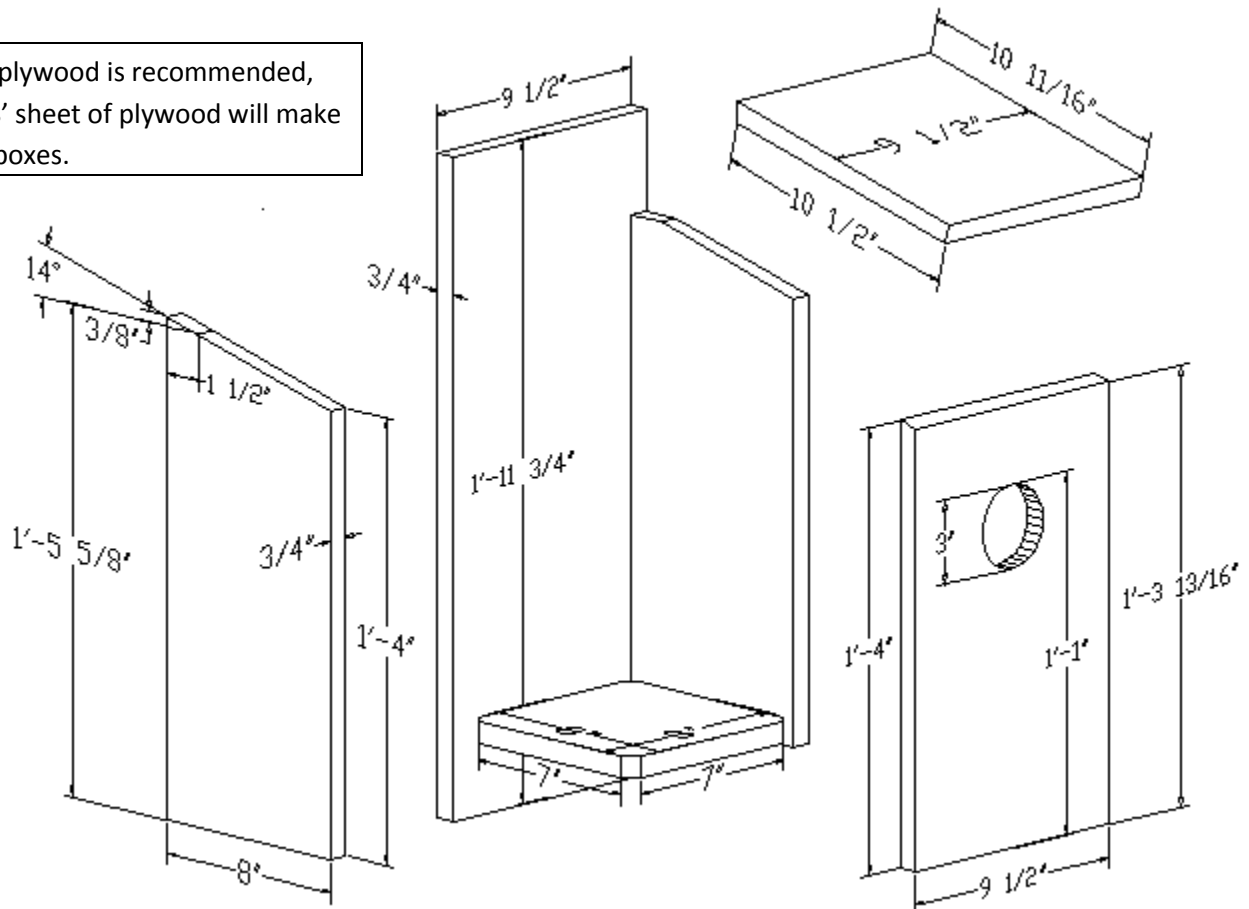


- 1) Fasten Right Side to Back Panel with screws. 2) Fasten Floor to Right Side and Back 3) Fasten Left Side to Back Panel and Floor. 4) Fasten Front Panel.



- 5) Fasten Hinges to Roof with Small Screws 6) Fasten Roof and Hinges to Back Panel. 7) Fasten Shutter Hooks to Roof and Sides with Round-head Screws 8) Mount Nestbox with Large Screws at appropriate Height. (see specific species mounting height and habitat.)

$\frac{3}{4}$ " thick plywood is recommended,
1 - 4' x 8' sheet of plywood will make
about 4 boxes.



BILL OF MATERIALS

1 – 4' X 4' X $\frac{3}{4}$ " THICK EXTERIOR GRADE PLYWOOD

20 – 2"-8 COATED DECKING SCREWS

1-1/2" HINGES (1 PAIR)

1-1/2" GATE HOOK AND EYE (2 PAIR)

DRILL

DRILL BITS

COUNTERSINK BIT

SAW

JIG SAW

PHILLIPS HEAD SCREW DRIVER

MEASURING TAPE

QUART OF LOW ODER NO VOC EXTERIOR PAINT

2-3 INCHES OF WOOD SHAVINGS FOR BOTTOM OF THE BOX (USE AFTER MOUNTING)