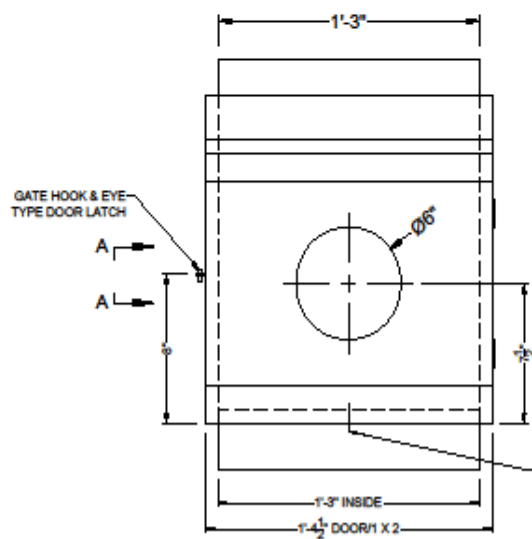


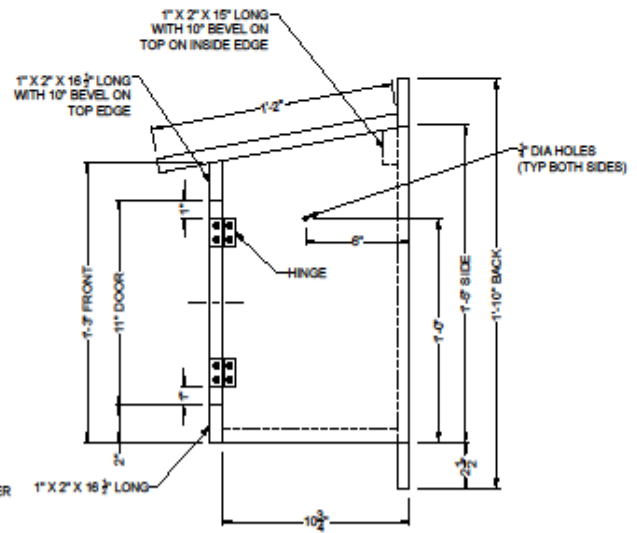
VIEW A-A

NOTES

1. All wood $\frac{3}{4}$ " thick exterior plywood.
2. All assembly to be done with screws only. Screws should be 4" to 5" apart on sides, back, etc.
3. A Low Oder Zero VOC paint can be used on the exterior of the box if desired.



FRONT VIEW

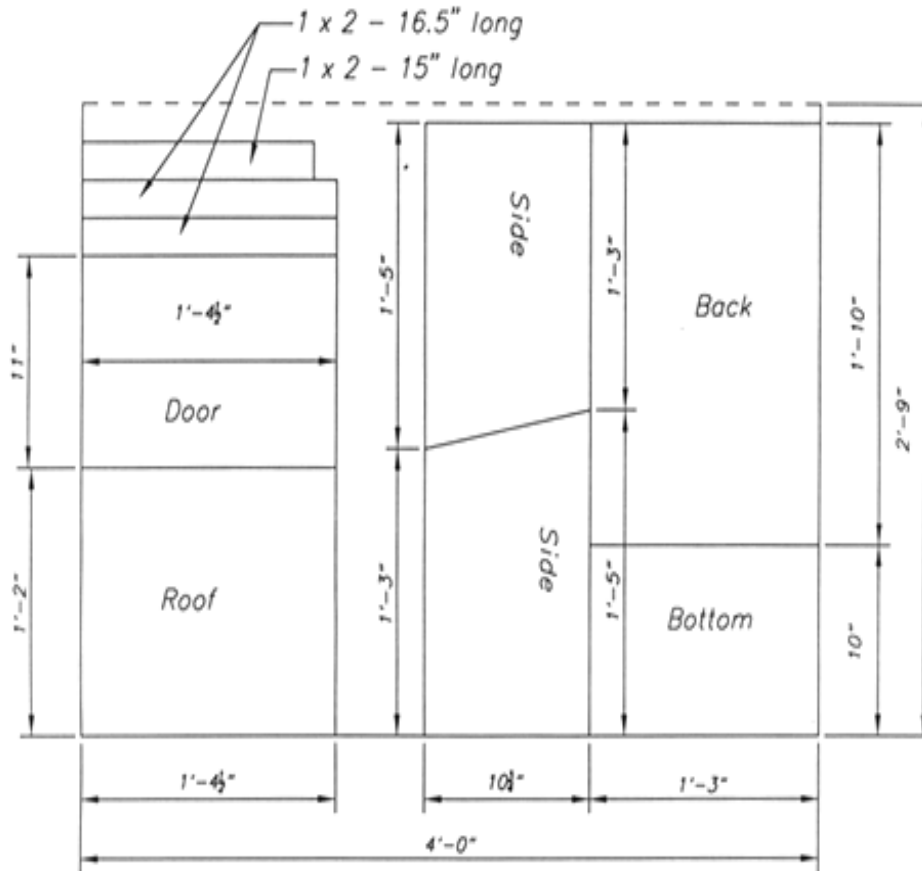


SIDE VIEW

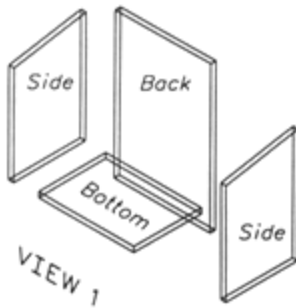
The closed box type can be used in a topless silo, attached to the outside of an existing structure, erected on a pole or placed in a tree. When erecting on poles or trees remember to choose open areas, fields, meadows, etc. and face the entrance hole south.

LAYOUT FOR CUTTING & PARTS LIST

- 1 – 4' X 4' X 3/4" THICK EXTERIOR GRADE PLYWOOD
- 24 – 2"-8 COATED DECKING SCREWS
- 1-1/2" HINGES (1 PAIR)
- 1-1/2" GATE HOOK AND EYE (1 PAIR)
- DRILL
- DRILL BITS
- COUNTERSINK BIT
- SAW
- JIG SAW
- PHILLIPS HEAD SCREW DRIVER
- MEASURING TAPE
- QUART OF LOW ODER NO VOC EXTERIOR PAINT
- 2-3 INCHES OF WOOD SHAVINGS FOR BOTTOM OF THE BOX (USE AFTER MOUNTING)



ASSEMBLY INSTRUCTION

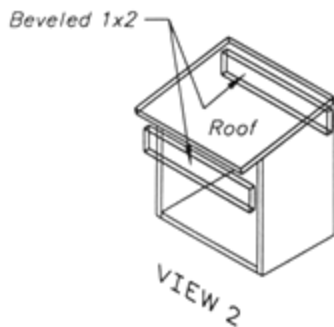


STEP 1

Attach sides to bottom, make bottom front edge flush to front of sides.

STEP 2

Attach back to back of nest box in between sides of box (leaving back protruding down past bottom of box 2.5" see Sheet 1, Side View)



STEP 3

Attach roof on top, beveled edge tight against back and flush to sides.

STEP 4

Attach beveled 1 x 2 - 1'-3" long between sides of box (see Sheet 1, Side View) fit tight to roof, Using 4-1 $\frac{1}{4}$ " long screws

STEP 5

Attach beveled 1 x 2 - 1-4 $\frac{1}{2}$ " Long to front of box (bevel up) tight to roof, flush with sides.

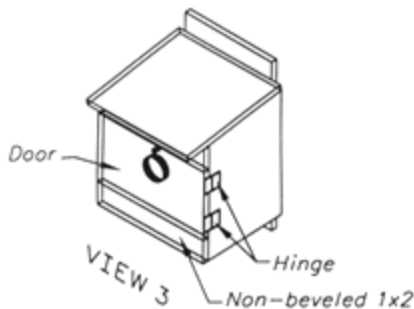
STEP 6

Attach hinges to door, attach door to box, (see Sheet 1, View 3)

STEP 7

Attach 1 x 2 to bottom of box below door

Note: Leave $\frac{1}{16}$ " gap between door and 1 x 2's.



STEP 8

Attach eye screw to door and gate hook to side of box. (see Sheet 1, Front View and View A-A for location)

STEP 9

Drill air/access holes as required in door, sides, and bottom, see Sheet 1 all views for locations.

STEP 10

Sand sharp corners after assembly.

NOTE

Drill holes in back above and below box to mount box in designated location.